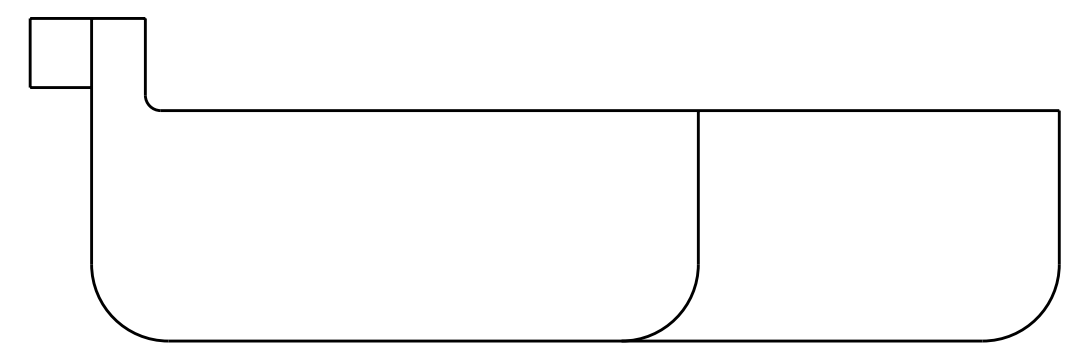
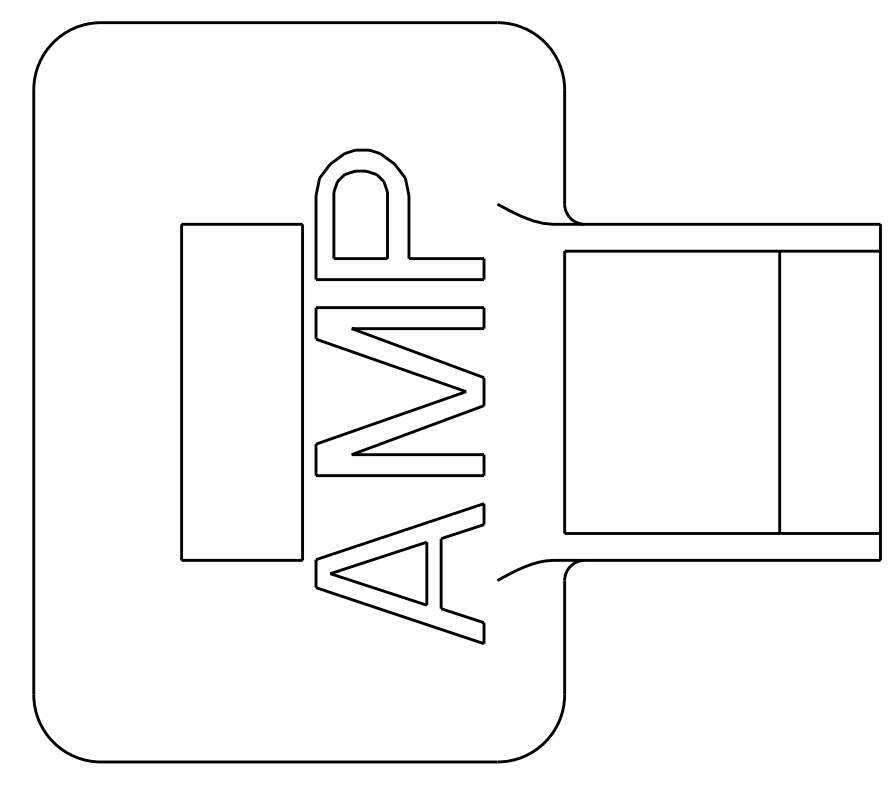
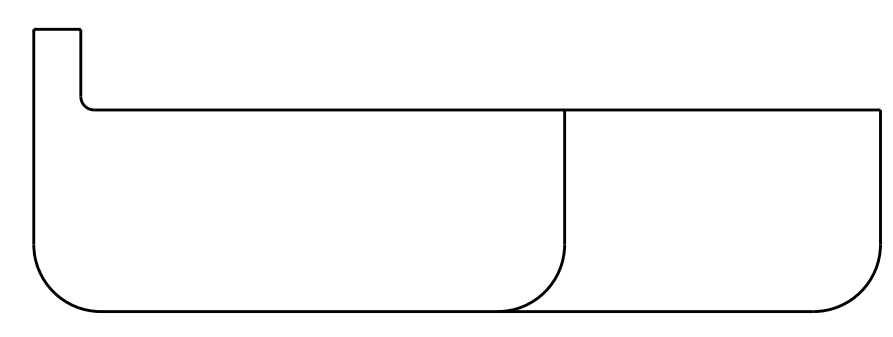
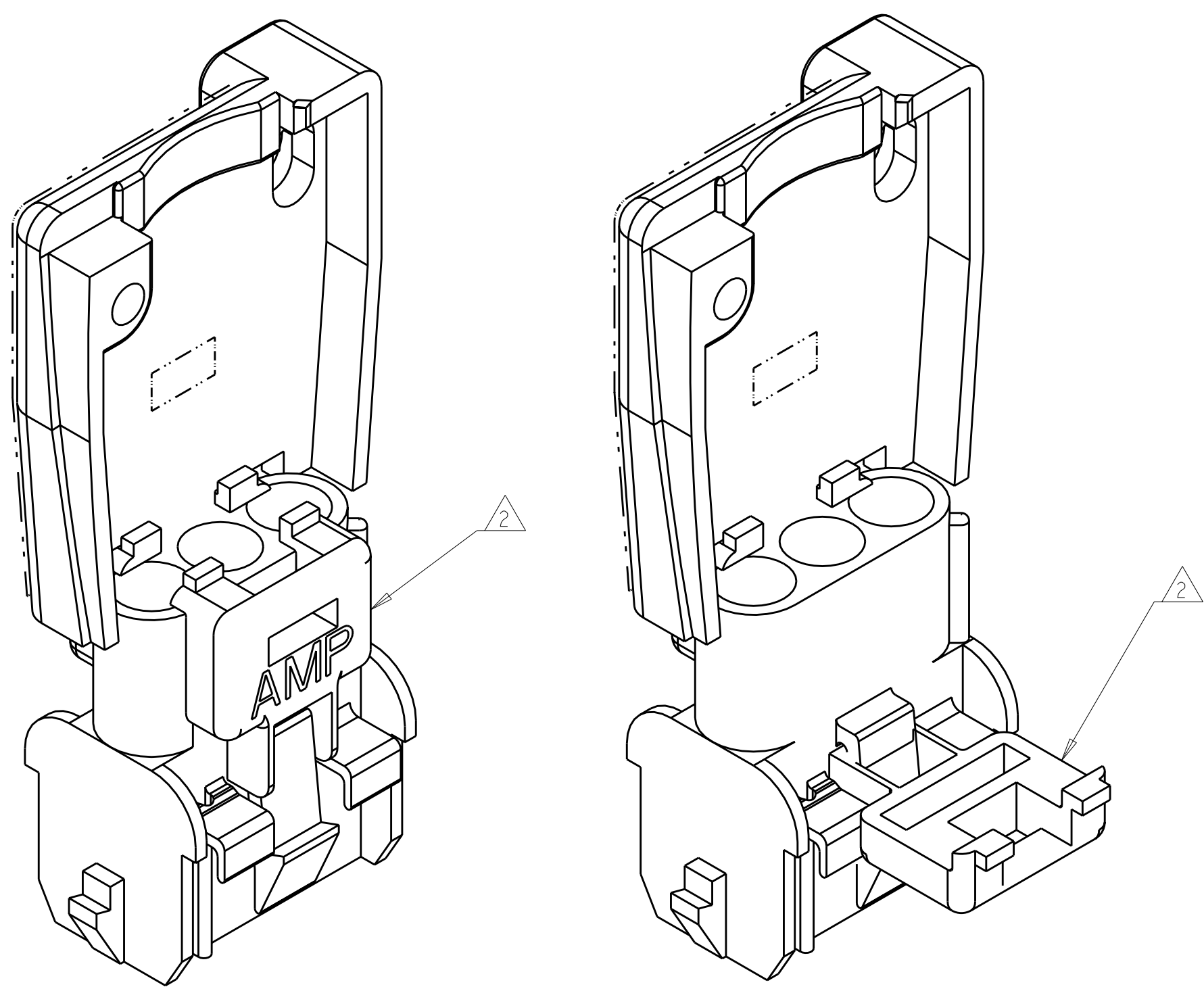
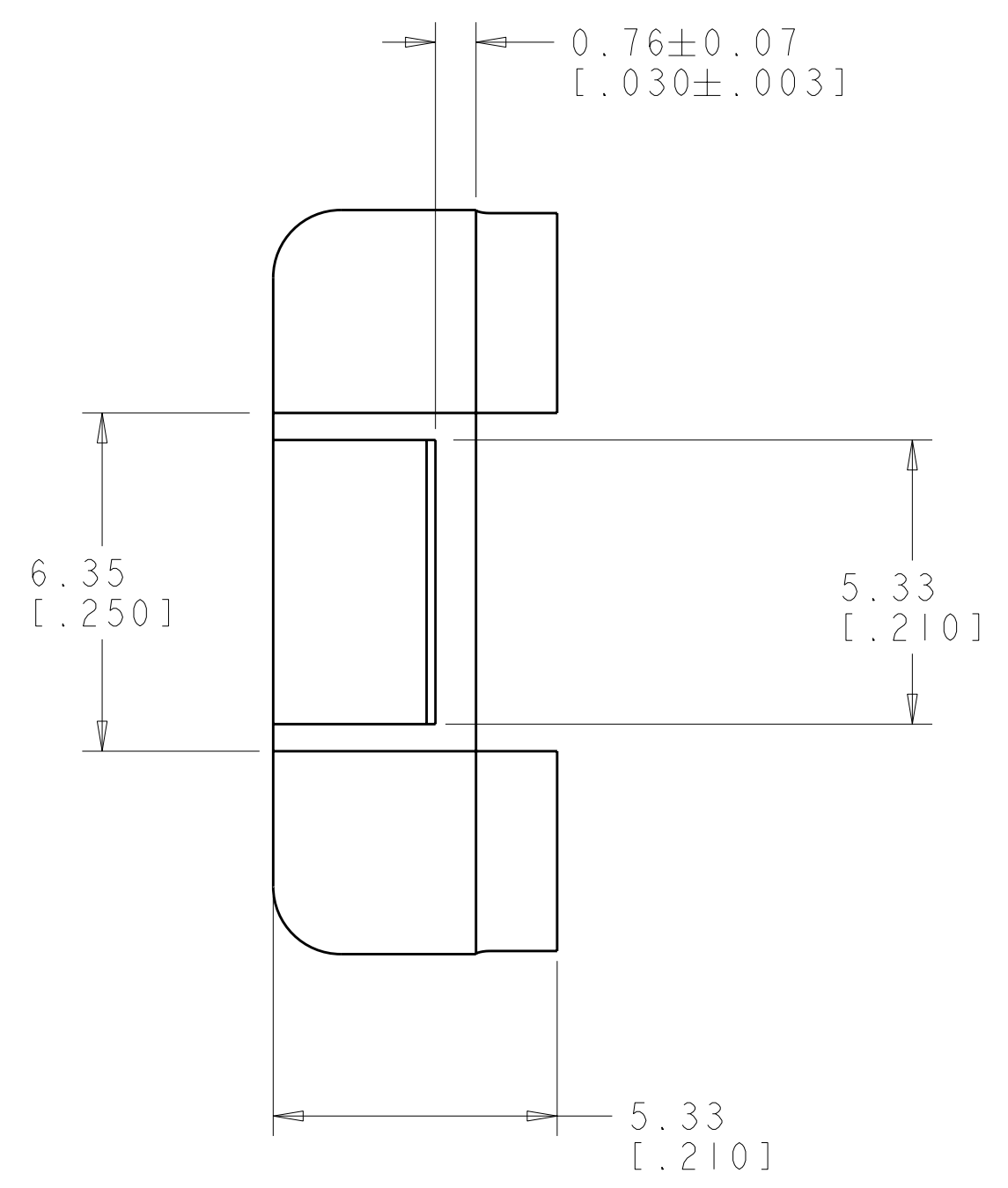
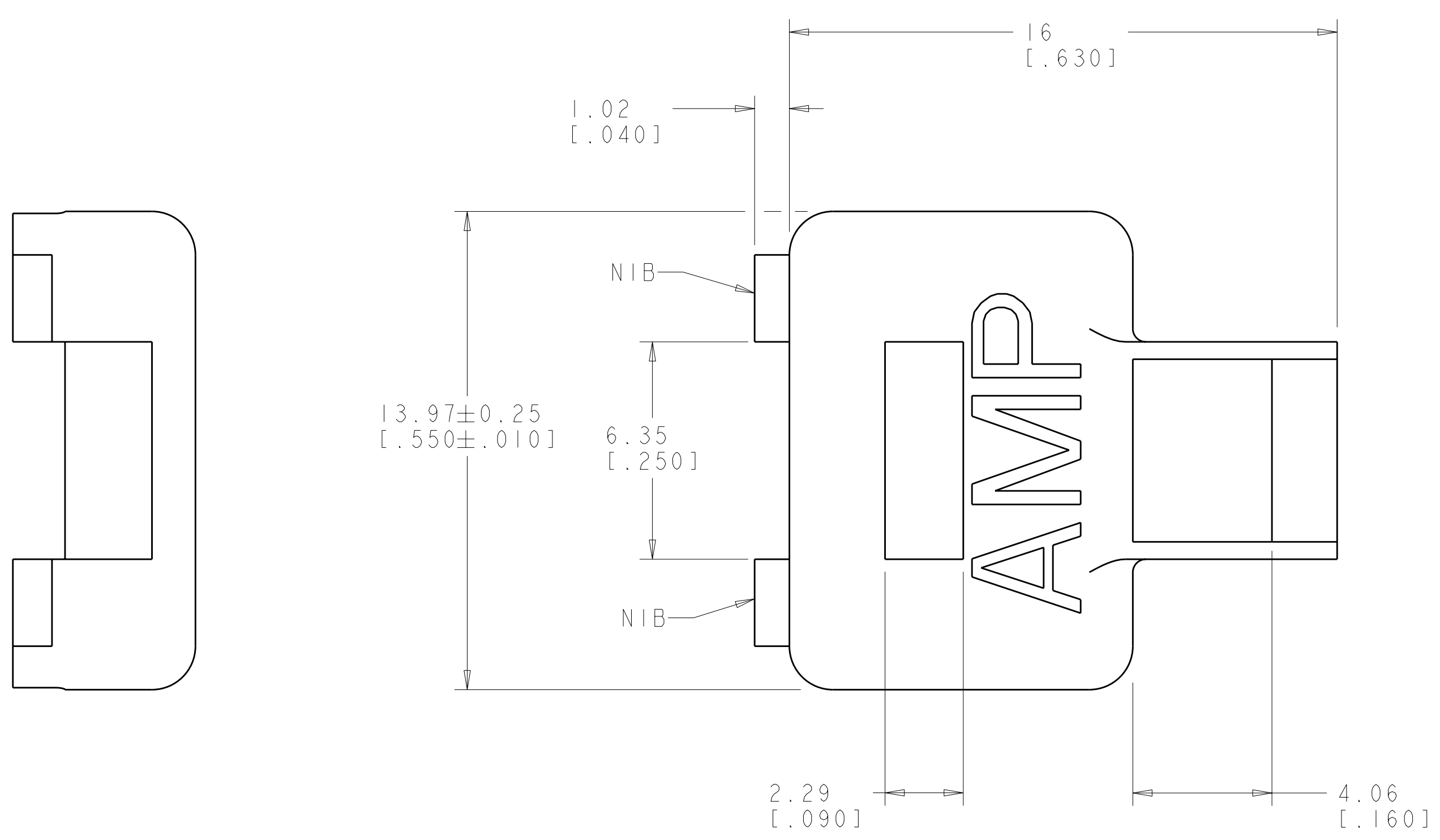


LOC	DIST	REVISIONS			
CM	00	REV	DATE	BY	APPD
		F2	16MAR2007	KW	DC



- FOR USE WITH 3, 4, 9, 12, AND 15 CIRCUIT CAP HOUSINGS AND APPROPRIATE STRAIN RELIEF (ENCLOSED VERSION).
- ADAPTER ATTACHES TO CAP HOUSING AS SHOWN PROVIDING FEATURE TO ATTACH STRAIN RELIEF.
- MATERIAL: NYLON UL94V-2.



ALTERNATE STYLE
641777-2

0.0239	BLACK	FOR STRAIN RELIEF	AS SHOWN (WITH NIBS)	641777-9
0.0239	GRAY	FOR STRAIN RELIEF	AS SHOWN (WITH NIBS)	641777-8
0.0236	NATURAL	FOR STRAIN RELIEF	ALTERNATE (WITHOUT NIBS)	641777-2
0.0239	NATURAL	FOR ASSEMBLY MODULE	AS SHOWN (WITH NIBS)	641777-1
VOLUME IN ³	COLOR	USAGE	STYLE	PART NO.

<small>THIS DRAWING IS UNPUBLISHED. RELEASED FOR PUBLICATION BY TYCO ELECTRONICS CORPORATION. ALL RIGHTS RESERVED. THIS IS SUBJECT TO CHANGE WITHOUT NOTICE AND WITHOUT OBLIGATION. TYCO ELECTRONICS CORPORATION SHALL BE CONTACTED FOR THE LATEST REVISION.</small>		DWN: R. WHITAKER 16MAR2007 CHK: D. COLEY 16MAR2007 APVD: D. COLEY 16MAR2007	tyco Electronics Tyco Electronics Harrisburg, PA 17105-3608
DIMENSIONS: mm [INCHES] TOLERANCES UNLESS OTHERWISE SPECIFIED: 9 PLC ± 1 PLC ± 5 PLC ±0.13(.005) 4 PLC ± ANGLES ±40° 30'		NAME: ADAPTER, STRAIN RELIEF, UNIVERSAL MATE-N-LOK(TM) (FOR CAP HOUSING) PRODUCT SPEC: APPLICATION SPEC: WEIGHT: FINISH:	SIZE: A 00779 C=641777 SCALE: 8:1 SHEET: 1 OF 1 REV: F2
MATERIAL: NYLON UL94V-2 FINISH:		CUSTOMER DRAWING	RESTRICTED TO:

